

Rule's .1939, .1943, and .1945

Gene Young RS, LSS Regional Soil Scientist

Kevin Neal RS, LSS Regional Soil Scientist

NCDENR, On Site Wastewater Section

Rule .1939

- a) The LHD local health department shall investigate each proposed site. The field investigation shall include the evaluation and written field descriptions (profile descriptions) of the following factors:

1. topography, slope and landscape position

Rule .1939

- (2) Soil Characteristics including:
 - horizons,
 - color,
 - texture,
 - structure,
 - consistence;

Rule .1939

- (3) Soil Wetness
- (4) Soil depth;
- (5) Restrictive horizons; and the suitability and long term acceptance rate of each soil boring or pit, and
- (6) Available space.

Rule .1939

- Soil profiles shall be evaluated at the site by borings, pits or other means of excavation. Soil profiles shall be described to at least 48 inches; or to an UNSUITABLE characteristic, material or horizon; or to a depth of 12 inches (18 inches Group I soil) below the proposed trench bottom and a determination shall be made as to the suitability of the soil to treat and disperse absorb septic tank effluent.

Rule .1939

- The owner or applicants may be required to dig pits when necessary for proper evaluation of the soil at the site as determined by the LHD. There shall be at least one soil profile description for the proposed nitrification field and at least one soil profile description for the reserve area. Additional profile descriptions shall be made as needed.

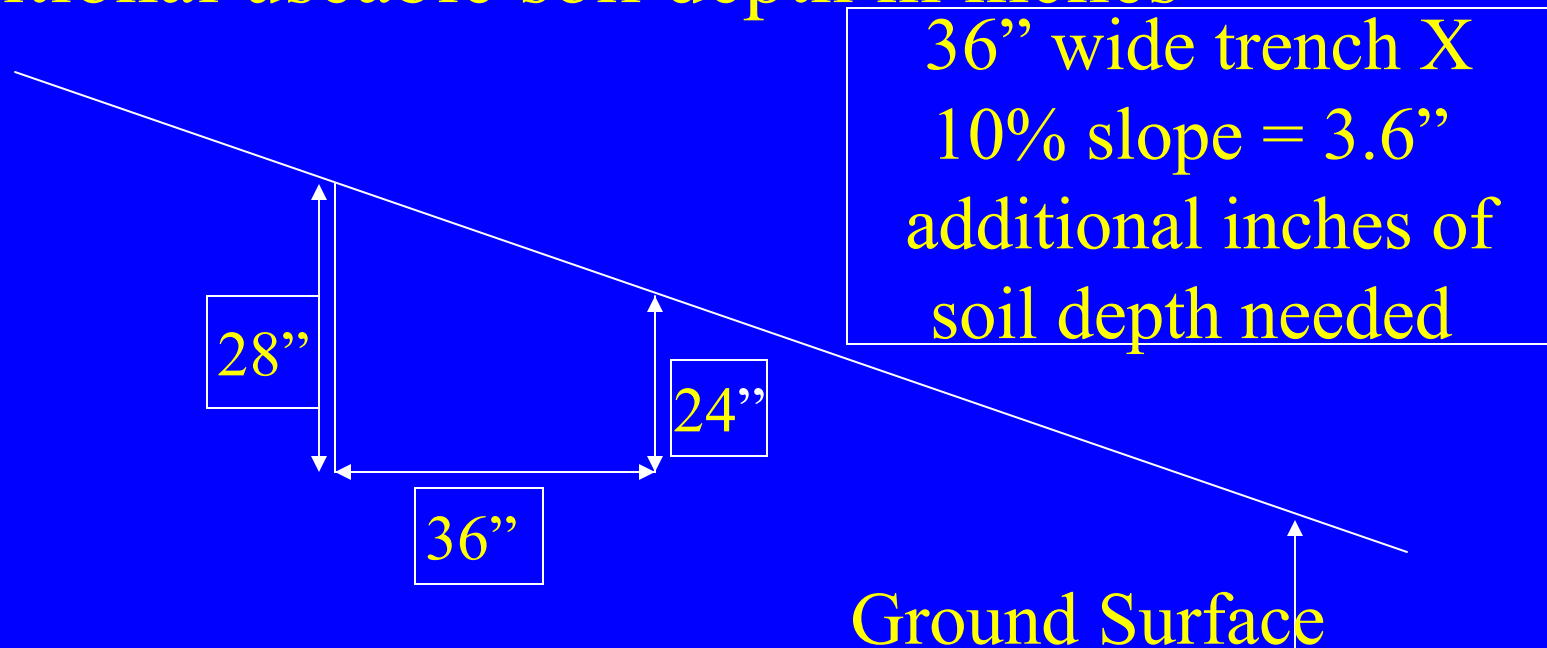
Rule .1943 Soil Depth

- Soil depths to unsuitable soil material greater than 18 inches or greater shall be considered **SUITABLE** as to soil depth. Soil depths to saprolite, rock, or parent material less than 18 inches shall be classified **UNSUITABLE** as to soil depth.

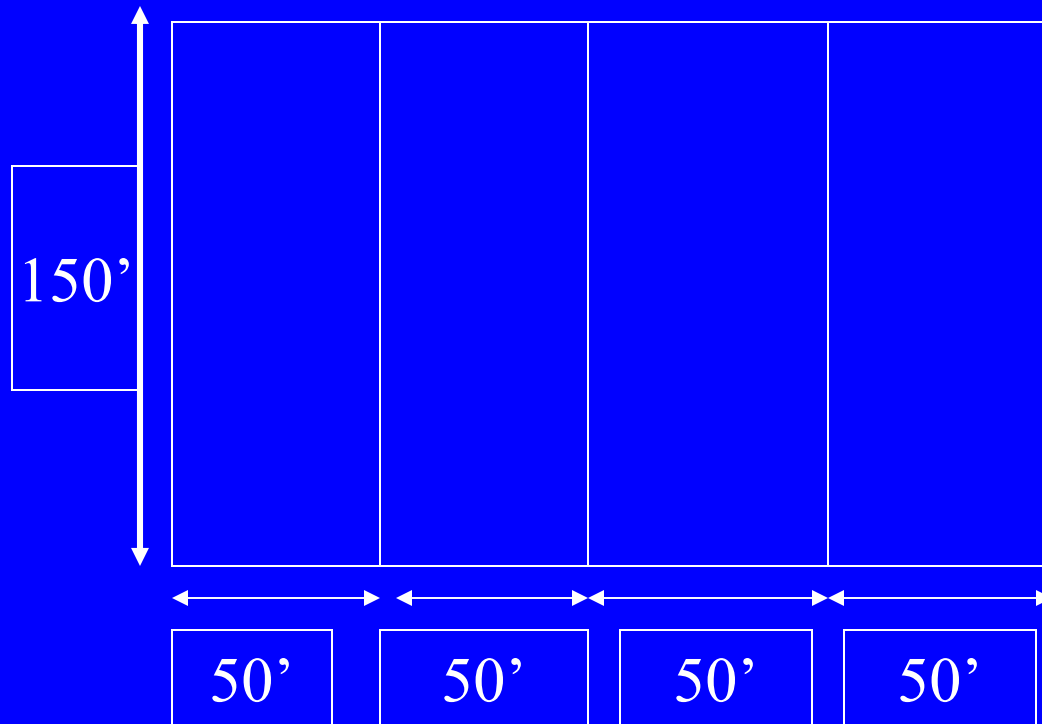
Slope Correction

- Formula

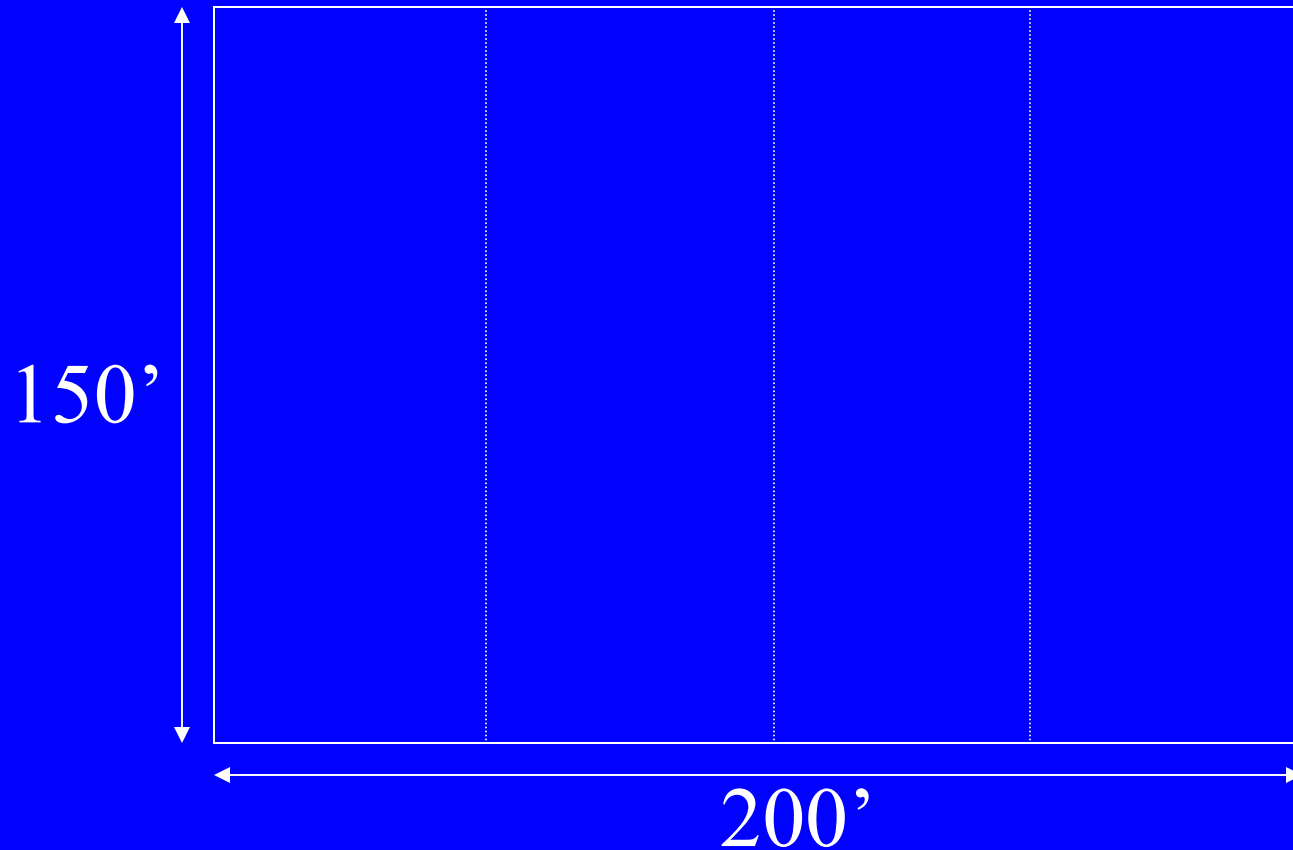
- Trench width in inches X Percent Slope =
Additional useable soil depth in inches



Rule .1945



Rule .1945



Pencil and eraser theory