

Poultry Houses

COOPERATIVE
FARM BUILDING
PLAN EXCHANGE

PLAN NUMBERS 6195, 6248

In recent years, rural homeowners have developed an interest in backyard poultry operations. These two poultry house plans give basic tips for meeting needs of individual operations.

Plan 6195 features a partially raised floor system with feed and water placed on the raised section. Wire mesh in this location allows the manure to be separated from the birds' living areas and reduces the amount of litter required.

Plan 6195 is built on grade and offers a pressure-treated rodent barrier around the base perimeter. Although not foolproof, this barrier is generally effective.

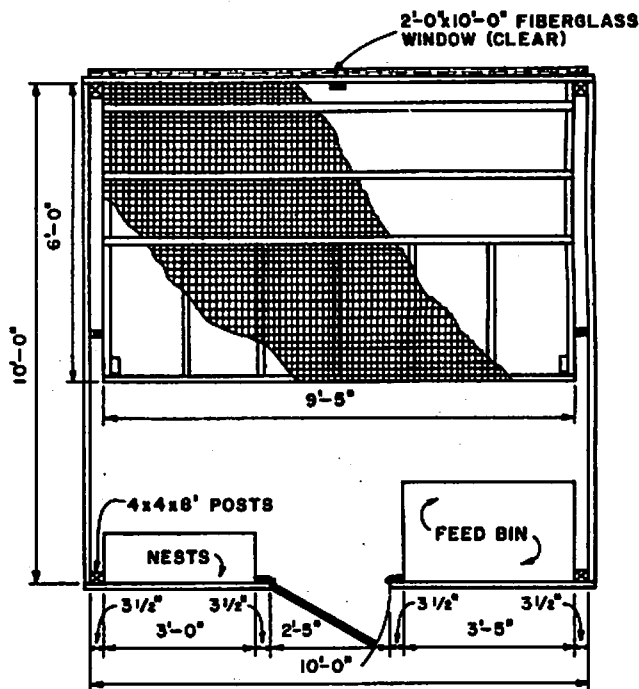
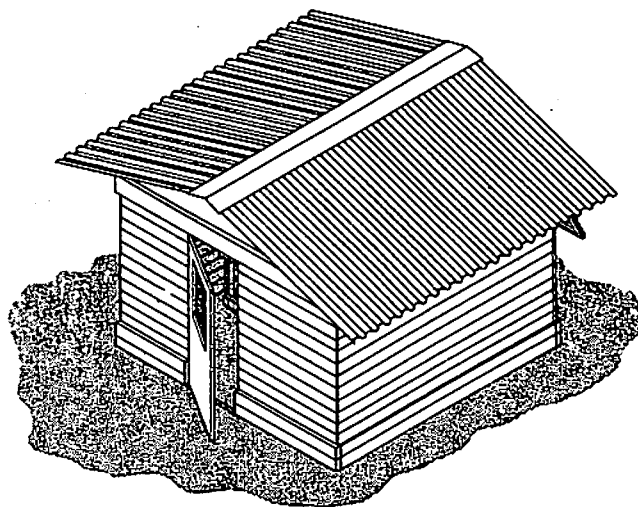
Plan 6248 has a tongue-and-groove wooden sheathing floor and the structure is set on and anchored to concrete block.

Both poultry house plans feature natural (nonmechanical) ventilation. Each house can accommodate 40 to 50 birds. Optional clean-outs may be incorporated into both plans for periodic manure removal with minimum disturbance of the birds.

Complete working drawings may be obtained from the Extension agricultural engineer at your State land-grant university. A small charge may be made to cover cost of printing.

If you do not know the location of your State land-grant university, send your request to Agricultural Engineer, Extension, Science and Education Administration, U.S. Department of Agriculture, Washington, D.C. 20250. Your request will be sent to the appropriate university.

Order plan 6195, "Poultry Housing 40-50 Birds"; or 6248, "Poultry House 10' x 12".



PLAN 6195

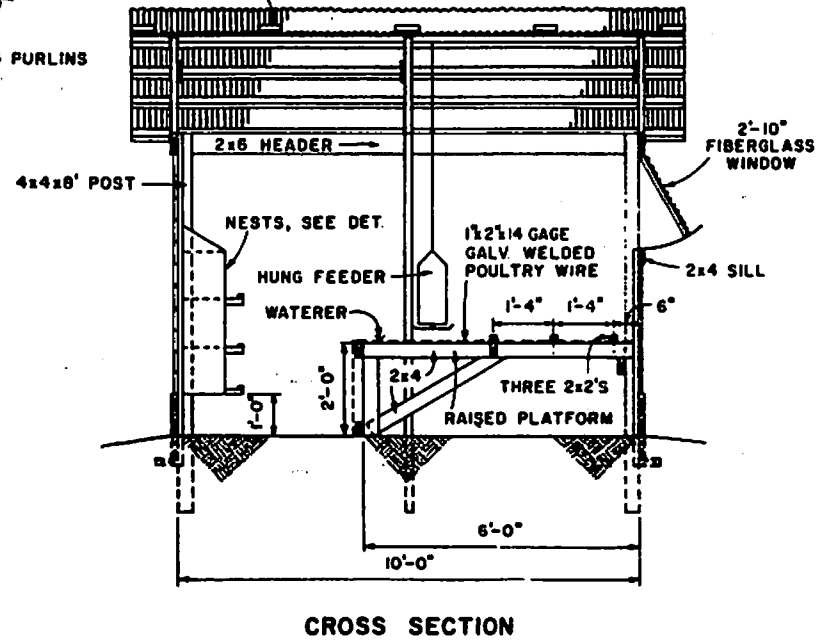
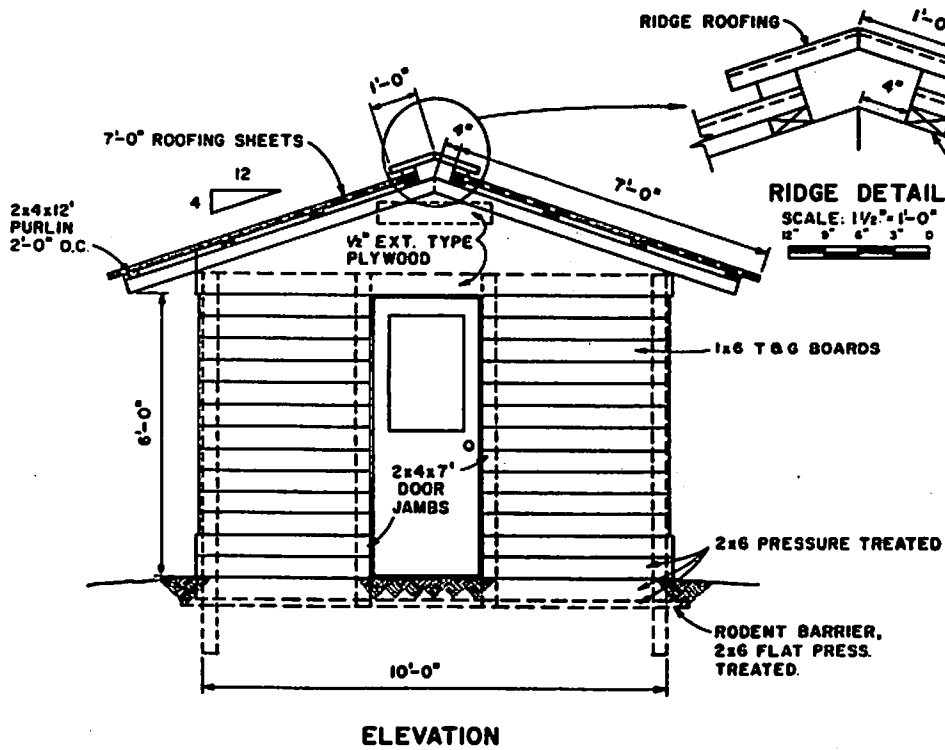
Issued February 1981

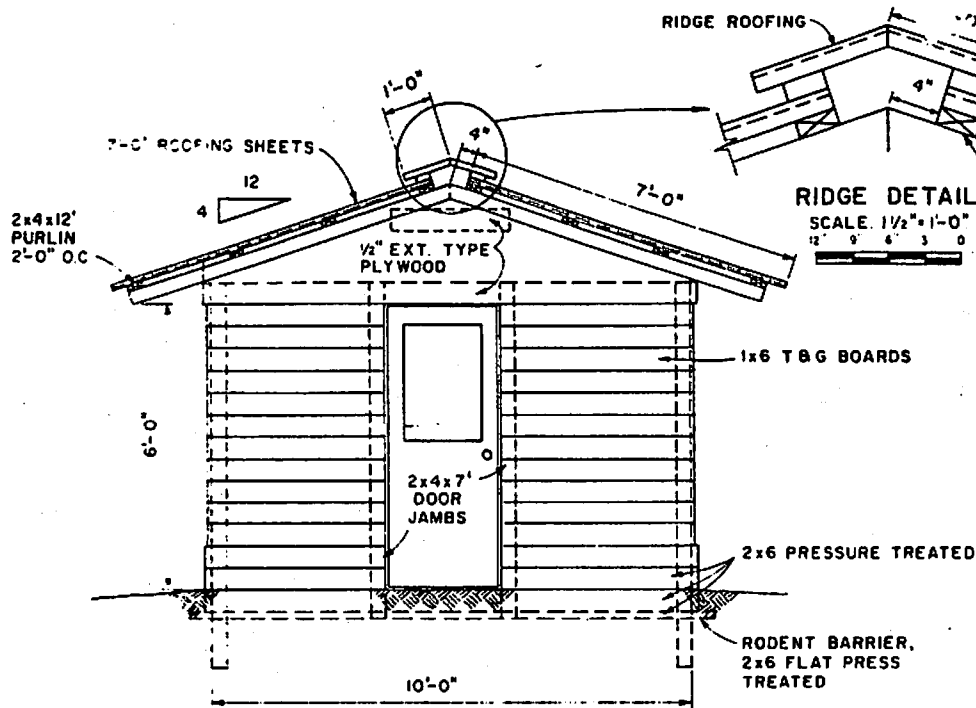


UNITED STATES
DEPARTMENT OF
AGRICULTURE

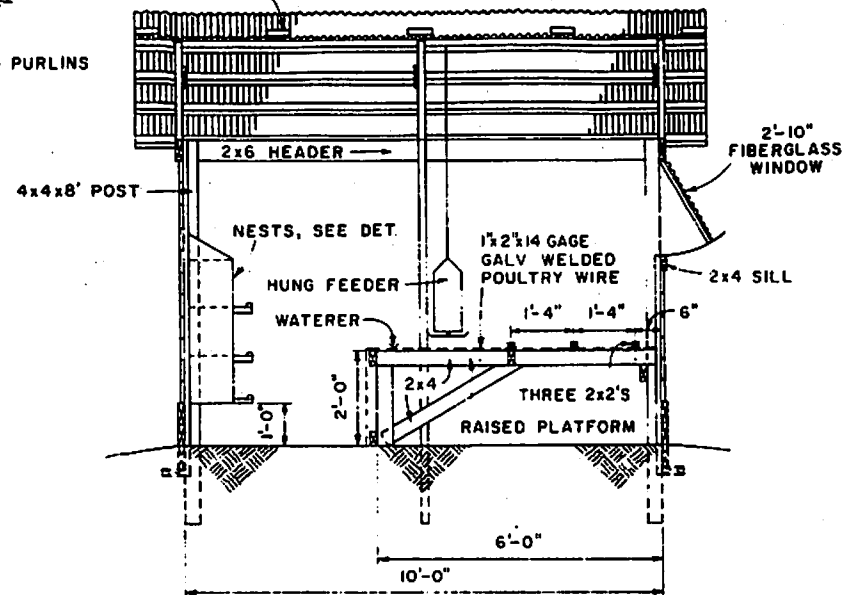
MISCELLANEOUS
PUBLICATION
NUMBER 1403

PREPARED BY
SCIENCE AND
EDUCATION
ADMINISTRATION

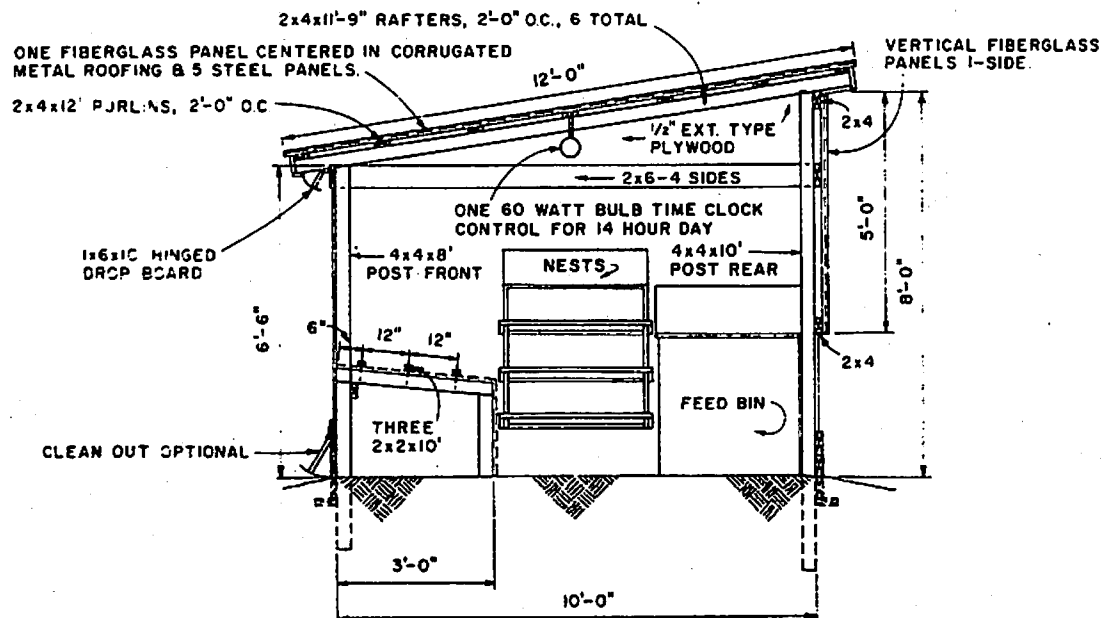




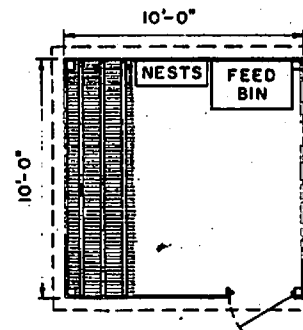
ELEVATION



CROSS SECTION



ALTERNATE ROOF & LAYOUT



PLAN

SCALE: 1/4" = 1'-0"

12' 0' 1' 2' 3' 4' 5'

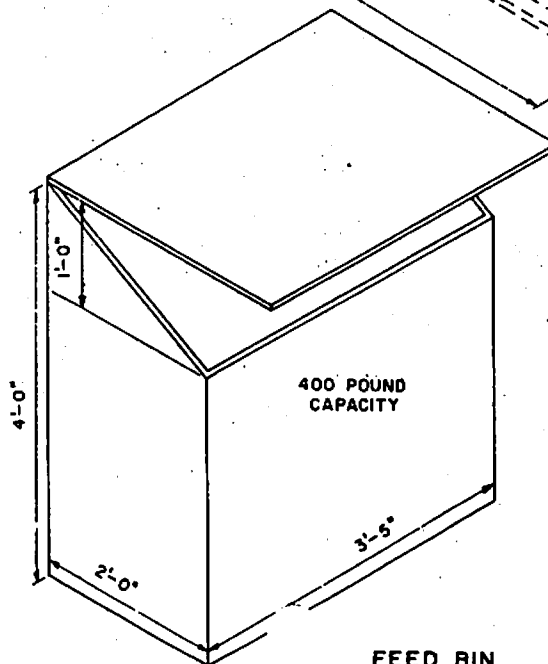
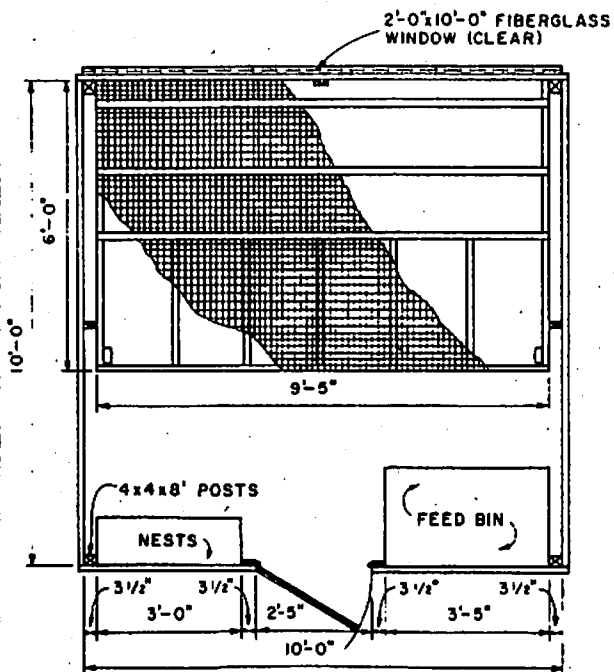
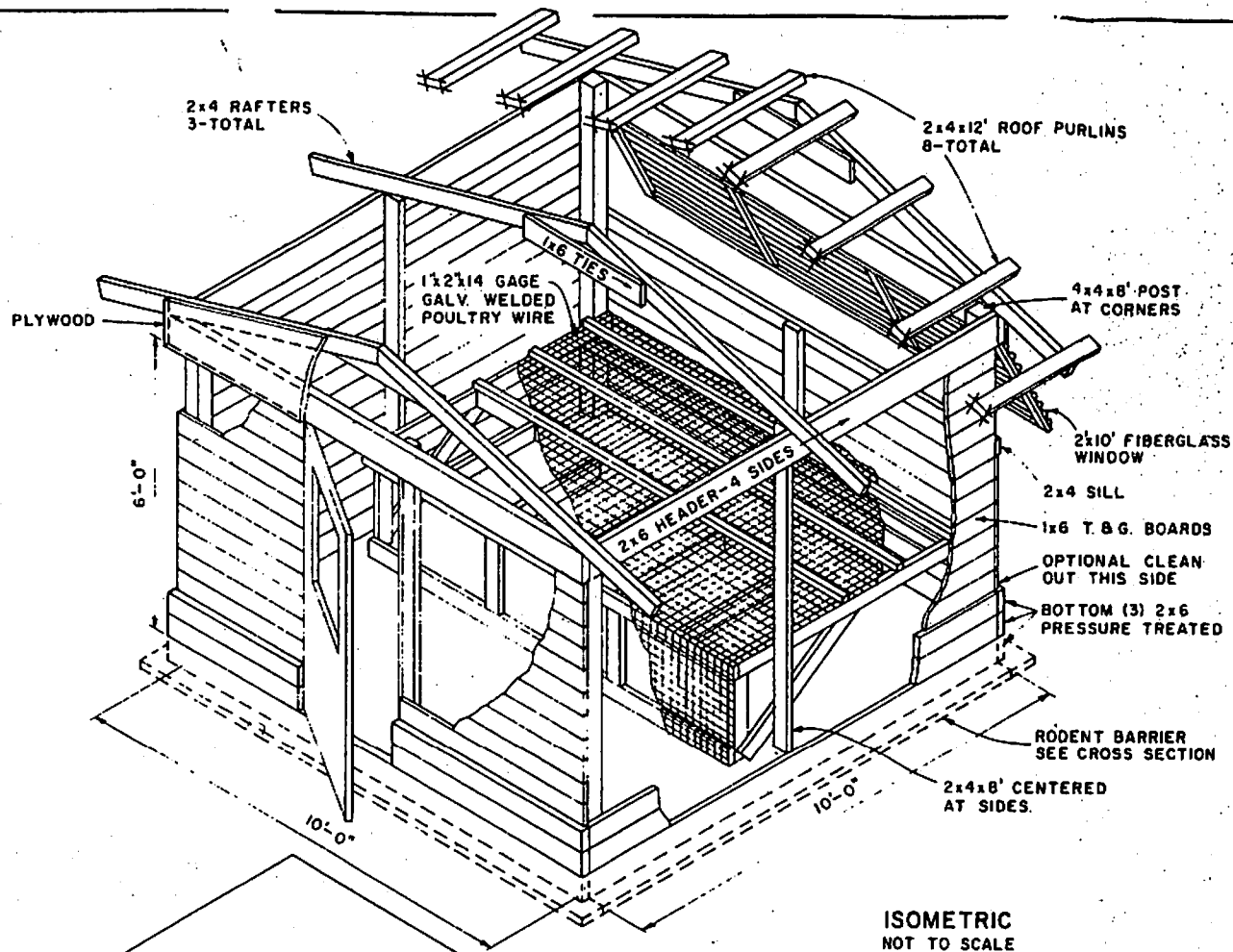
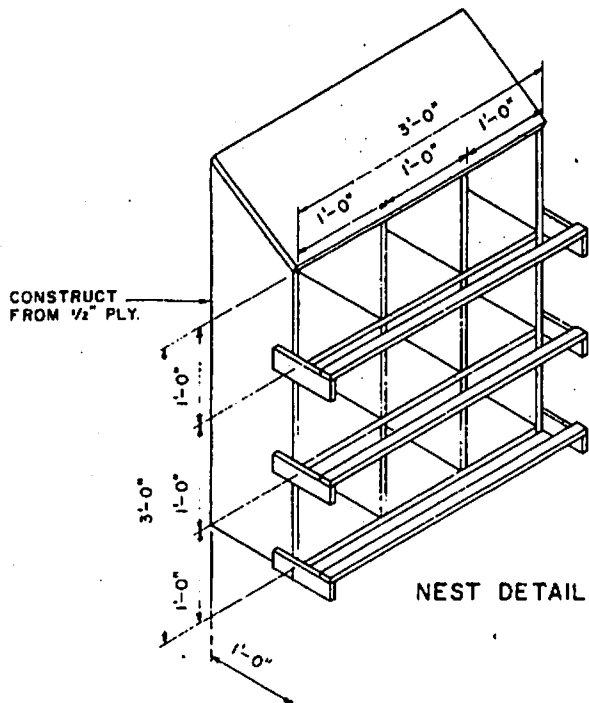
SCALE: 1/2" = 1'-0" UNLESS OTHERWISE NOTED.

COOPERATIVE EXTENSION WORK IN AGRICULTURE AND HOME ECONOMICS

UNITED STATES DEPARTMENT OF AGRICULTURE COOPERATING

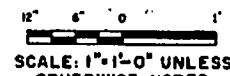
POULTRY HOUSE
40-50 BIRDS

N.J. '75 6195 SHEET 2 OF 2



FEED BIN

BASED ON RUTGERS-THE STATE UNIV. OF N.J. PLAN NO. 157



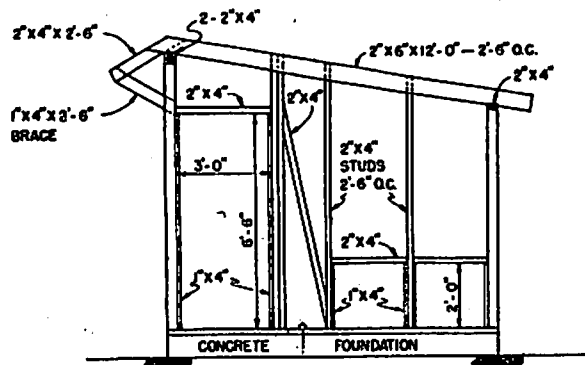
COOPERATIVE EXTENSION WORK IN AGRICULTURE AND HOME ECONOMICS

AND UNITED STATES DEPARTMENT OF AGRICULTURE COOPERATING

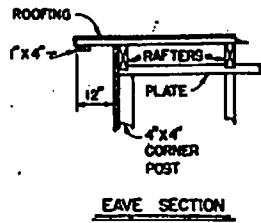
POULTRY HOUSE
40 BIRDS

N.J. '75 5 SHEET 1 OF 2

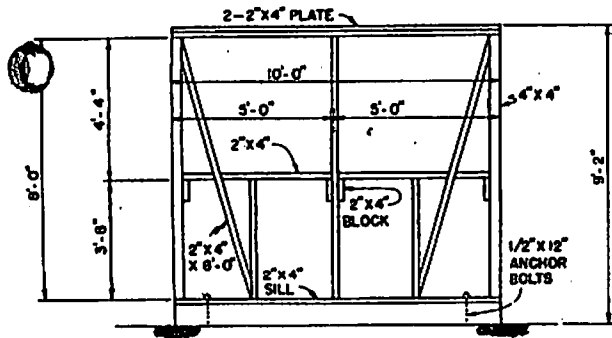
PLANS FOR 10' x 10' BROODER HOUSE



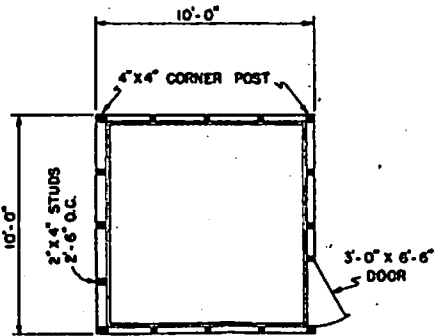
SIDE FRAMING



EAVE SECTION

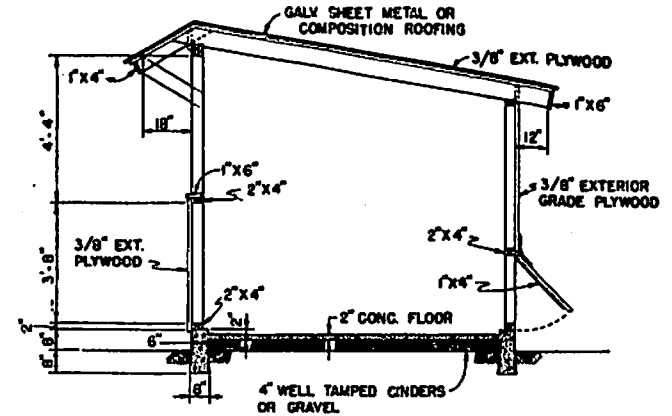


FRONT FRAMING

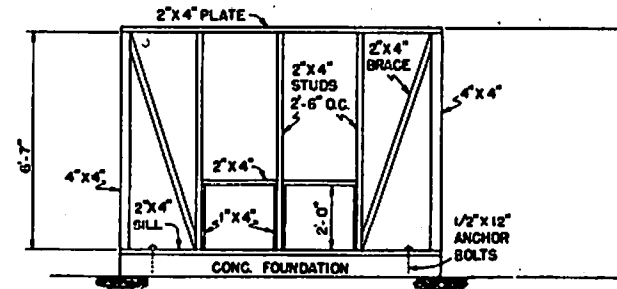


PLAN

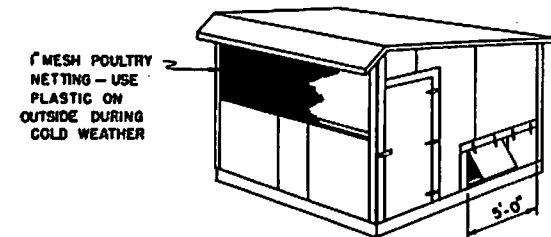
(Plan continued on next page.)



CROSS SECTION



REAR FRAMING



PERSPECTIVE

ONE 5' DOOR MAY BE USED INSTEAD OF TWO DOORS AS SHOWN